

1500V Three-phase On-grid String Inverter

SPI320K~350K-B-H/H1 Series



Product Features

High efficient

- Advanced three-level technology max. efficiency 99.02%
- 12 MPPT design, Compatible with bifacial PV panel
- Anti-PID and PID recovery function

System optimization

- DC 2 in 1 connection enabled and compatible with AL AC cables
- Support PLC communication, save cable investment
- Support night SVG and quick response

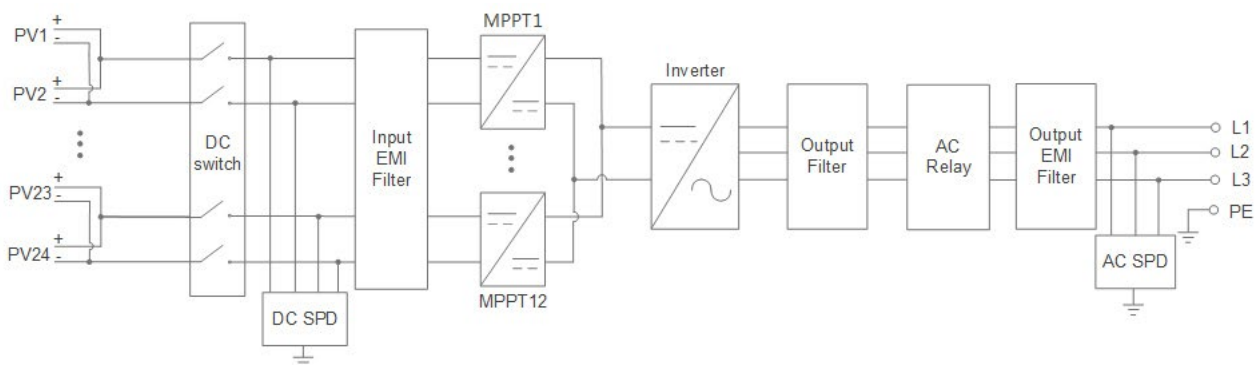
Safe and reliable

- IP66 and C5 anti-corrosion grade, intelligent fan with IP68 protection
- Redundant power supply by AC and DC
- Built-in AC/DC SPD protection

Intelligent management

- Intelligent I-V and fault wave recording, quick failure analysis
- Smart online upgrade, easy for system maintenance
- Capacitor detection and life prediction reduce the failure risk

Function Diagram



Technical Specification

Items	SPI320K-B-H	SPI320K-B-H1	SPI350K-B-H	SPI350K-B-H1
DC Input (PV)				
Max. PV input voltage	1500Vdc			
Rated input voltage	1050Vdc			
Max. PV input current	12×40A	15×30A	12×40A	15×30A
No. of MPPTs	12	15	12	15
No. of PV strings per MPPT	2			
MPPT voltage range	500~1500Vdc			
Starting voltage	550Vdc			
DC switch	Yes			
AC Output (On-grid)				
Rated AC output power	320kW		350kW	
Max. output power	352kVA		355kVA	
Rated AC output voltage	800Vac			
Rated output current	230.9A		252.6A	
Max. output current	254A		256.2A	
Rated grid frequency	50Hz/60Hz			
Grid frequency range	45~55Hz/55~65Hz			
Power factor	>0.99 (rated power)			
Adjustable power factor	0.8 (leading)~0.8 (lagging)			
THDi	<3% (rated power)			
Efficiency				
Max. efficiency	99.02%			
European efficiency	98.80%			
MPPT efficiency	99.90%			
Function and protection				
Anti-islanding	Yes			
DC (PV) reversed connection	Yes			
AC short circuit protection	Yes			
Temperature protection	Yes			
Surge protection	DC Type II & AC Type II			
AFCI function	Yes (optional)			
Integrated PID function	Yes (optional)			
IV curve scan and diagnosis	Yes (optional)			
Support night SVG function	Yes (optional)			
General				
Dimensions (W×H×D)	1120×800×360mm			
Weight	120kg			
IP grade	IP66			
Self-consumption at night	<3W			
Cooling type	Intelligent forced air cooling			
Altitude	4000m (>3000m derating)			
Operating temperature	-35~60°C			
Relative humidity	0~100%			
Display	LED+APP			
DC terminal	MC4 Terminal			
AC terminal	OT Terminal			
Installation method	Wall-mounted			
Communication	RS485, PLC (optional), WIFI(optional)/4G (optional), Bluetooth			
Certification	IEC/EN62109-1, IEC/EN62109-2, EN61000, IEC62116, IEC61727, IEC60068, IEC61683, IEC62109, IEC6100, VDE4110			

- Specifications are subject to change without prior notice.

Kehua Digital Energy

Add: No. 457, Malong Road, Torch High-Tech Industrial Zone, Xiamen Fujian China

Tel: +86-592-5160516 Fax: +86-592-5162166 www.kehua.com

