

Three-phase On-grid String Inverter

SPI15K~25K-B X2 Series



Product Features

High Yield

- Multi-MPPT design meets the requirement of multi-orientation installation, patented MPPT algorithm increases power generation
- Maximum current up to 15A of a single string is suitable for high efficiency PV module
- Integrated PID function can effectively repair component attenuation and increase power generation

Reliability

- IP66 protection, wide operating temperature , high environment adaptability
- AFCI function, eliminates fire hazards
- Key components are strictly selected to ensure reliable operation of the product over its whole lifecycle

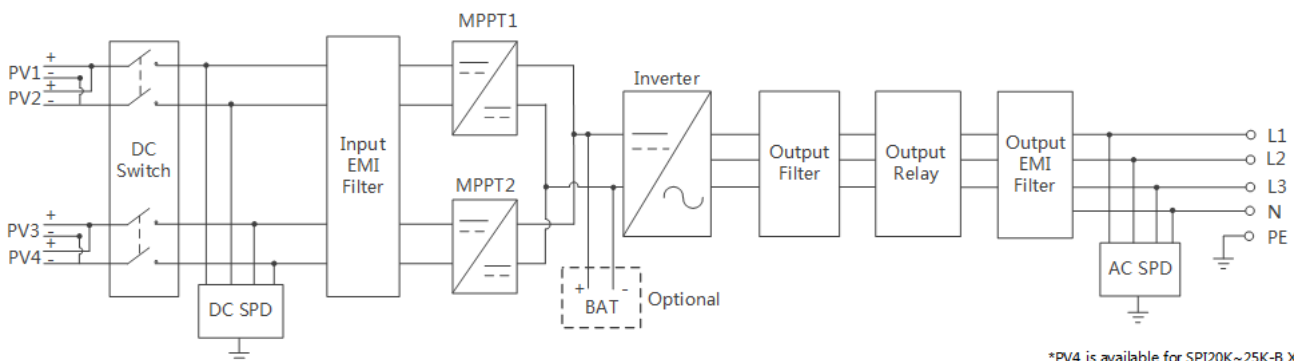
Flexible ESS

- Equipped with ESS function interface, realized the interconnection of PV and ESS
- Flexible multi-term investment of PV and ESS project optimizes ROI of users.

Easy O&M

- Intelligent IV curve scanning achieves efficient O&M
- Intelligent WiseSolar APP+ cloud platform provides all-round visual O&M
- Remote intelligent upgrade service can reduce O&M cost

Function Diagram



Technical Specification

Items	SPI15K-B X2	SPI17K-B X2	SPI20K-B X2	SPI23K-B X2	SPI25K-B X2
DC Input (PV)					
Recommended max. PV input power	20.25kWp	22.95kWp	27kWp	31.65kWp	33.75kWp
Max. PV input voltage	1100Vdc				
Rated input voltage	600Vdc				
Max. PV input current	30A/15A		30A/30A		
No. of MPPTs	2				
No. of PV strings per MPPT	2/1		2/2		
MPPT voltage range	180~1000Vdc				
Starting voltage	150Vdc				
DC switch	Yes				
AC Output (On-grid)					
Rated AC output power	15kW	17kW	20kW	23kW	25kW
Max. output power	16.5kVA	18.7kVA	22kVA	25.3kVA	27.5kVA
Rated AC output voltage	380/400/415Vac				
Rated output current	21.7A	24.5A	28.9A	33.2A	36.1A
Max. output current	23.8A	27.0A	31.8A	36.5A	39.7A
Rated grid frequency	50Hz/60Hz				
Grid frequency range	45~55Hz/55~65Hz				
Power factor	>0.99 (rated power)				
Adjustable power factor	0.8 (leading)~0.8 (lagging)				
THDi	<3% (rated power)				
Efficiency					
Max. efficiency	98.60%				
European efficiency	98.10%				
MPPT efficiency	99.90%				
Function and protection					
Anti-islanding	Yes				
DC (PV) reversed connection	Yes				
AC short circuit protection	Yes				
Temperature protection	Yes				
Surge protection	DC Type II & AC Type III				
AFCI function	Yes (optional)				
Integrated PID function	Yes (optional)				
IV curve scan and diagnosis	Yes (optional)				
Zero-export function	Yes (optional)				
ESS function	Yes (optional)				
General					
Dimensions (W×H×D)	460×420×182mm				
Weight	17kg				
IP grade	IP66				
Self-consumption at night	<1W				
Cooling type	Intelligent forced air cooling				
Altitude	4000m (>3000m derating)				
Operating temperature	-35°C~60°C				
Relative humidity	0~100%				
Display	LED+APP				
DC terminal	MC4 Terminal				
AC terminal	OT Terminal				
Installation method	Wall-mounted				
Communication	RS485, DRM (optional), WiFi (optional)/4G (optional), Bluetooth (optional)				
Certification	EN/IEC 62109-1/2, EN/IEC 61000-6-1/3, IEC 62116, IEC 61727, IEC 61683, EN 50549-1, NC RfG, VDE-AR-N 4105, CEI 0-21				

- Specifications are subject to change without prior notice.

Kehua Digital Energy

Add: No. 457, Malong Road, Torch High-Tech Industrial Zone, Xiamen Fujian China

Tel: +86-592-5160516 Fax: +86-592-5162166 www.kehua.com

